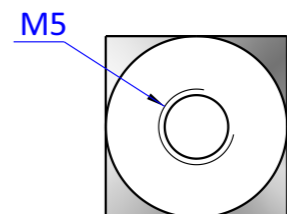
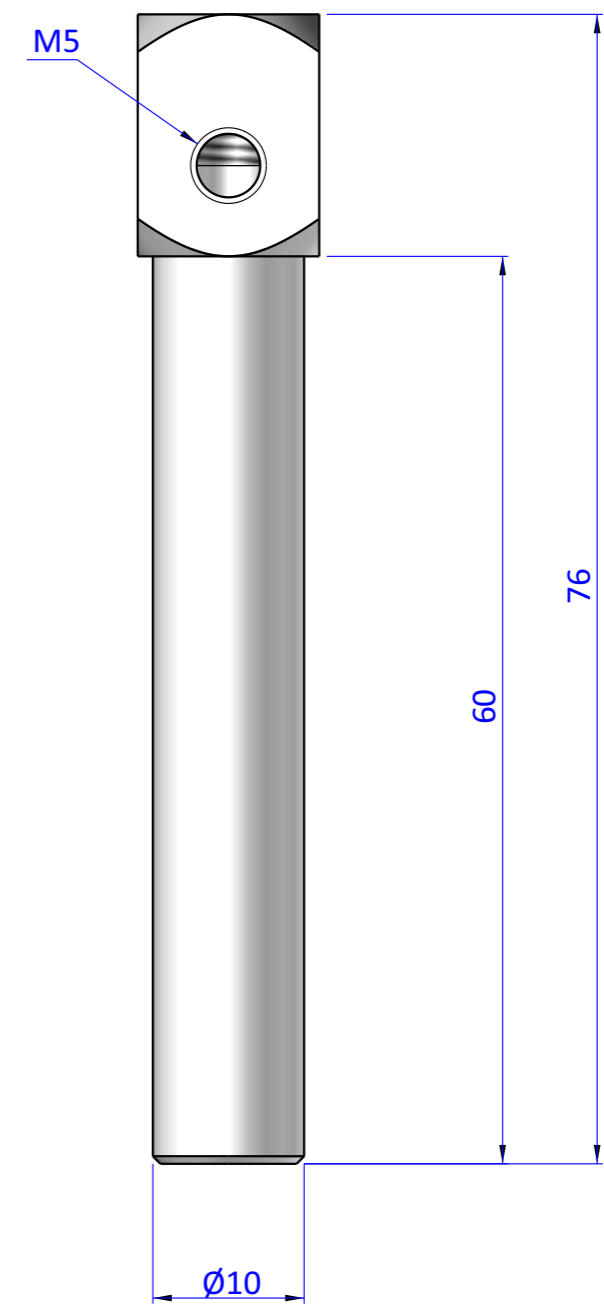
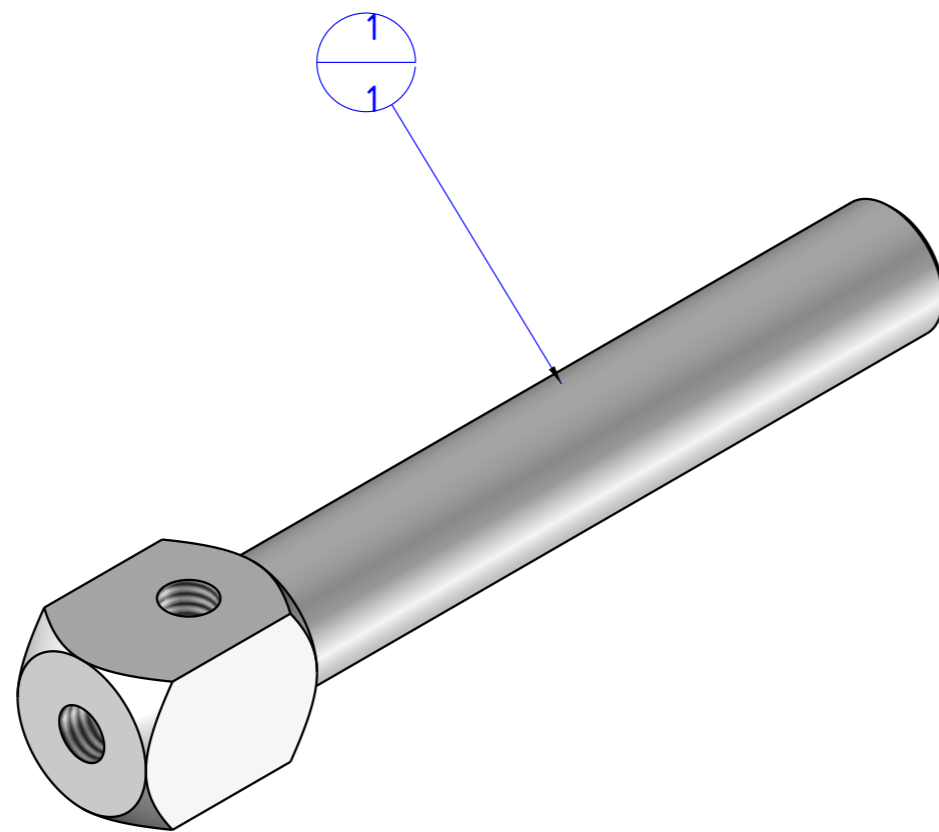


THE PROPERTY OF THE DRAWING IS ESTABLISHED BY LAW. IT IS FORBIDDEN TO PRODUCE OR SHOW IT TO THIRD PART. WITHOUT A WRITTEN AGREEMENT.

Item	Name	Q.ty
1	GSE.10M5M560	1



Format A3
UNI 936-76

		DESIGNED FROM FPS Automation		REVIEW A
		DATE -	WEIGHT 0,015kg	
GENERAL TOLERANCE UNI - ISO 2768 CLASSE f	DESCRIPTION CA.GSE.10M5M560		CODE CA.GSE.10M5M560	